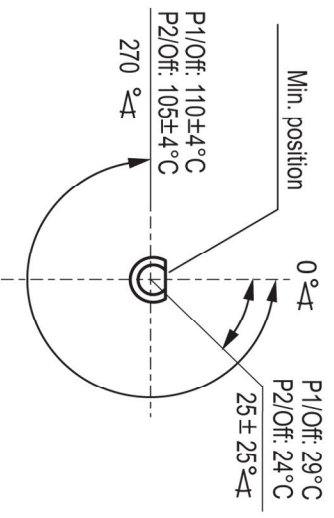


Switching power
 Max. Allowed temp.
 Px-x: 16(4)A/400V~
 Px-xx: 4(1)A/400V~
 85 °C

Temperature range P 1 - 1	: 29 - 110 °C
Temperature range P 2 - 2	: 24 - 105 °C
Switching difference (dT)	: 5 ± 2 K
Max. allowed sensor temp.	: 150 °C



Drawn by	Date	Signature	Designation:	Type:
			Thermostat	TC-1-R-20-P-A-S
			2 pole	Drawing n.: 5285
				Subheading: 0